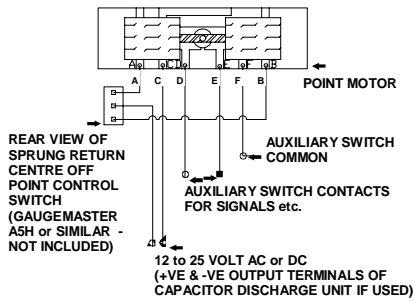




**PM1 POINT MOTOR
WITH AUXILIARY SWITCH**
SUITABLE FOR HORNBY & PECO
TYPE



USE OF

A CAPACITOR DISCHARGE UNIT

CONNECTING YOUR SEEP POINT MOTOR

If connecting to a Gaugemaster PCU1 or PCU2 refer to the instructions supplied with that unit.

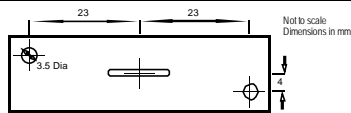
Terminal 'C' of this point motor is common to both point motor windings and in multiple point systems is normally utilised as the common return terminal. In a common return system connect terminal 'C' to the common line of your voltage supply. Alternatively connect to the supply Neutral/Negative terminal, (-VE output terminal of your Capacitor Discharge Unit, if used). Connect the supply line or Live/Positive terminal of your voltage supply (+VE output terminal of your Capacitor Discharge Unit, if used) to the centre post of a single pole, double throw, sprung return, centre off switch (GAUGEMASTER A5H or similar), or a passing contact type switch (If preferred two push-to-make, momentary contact switches can be used - Gaugemaster A6).

Note: A sustained supply to the motor coils will result in unit failure. Using a Capacitor Discharge Unit will prevent this. Connect the remaining two terminals of the switch, one each to the terminals marked 'A' & 'B' of the point motor, as indicated above paying attention to the orientation in relation to the movement of the point. Terminals 'D', 'E' & 'F' form a single pole, double throw auxiliary switch for signal switching etc. Terminal 'F' is common to terminals 'D' & 'E'.

LOCATING YOUR SEEP POINT MOTOR

Your SEEP point motor can be fitted adjacent to your track or beneath your baseboard.

To fit beneath your baseboard temporarily secure the point in what will be its final position. Move the point tie bar to a position that equates to half the distance of its travel. Using a fine drill and the linkage hole as your guide carefully drill vertically down through the baseboard. Remove the point from your baseboard. Using a 1mm drill bit expand the pilot hole. From beneath the baseboard insert the point motor operating rod. Rotate the main body of the point motor so that its direction of operation is along the axis of the point tie bar. Move the body of the point motor so that its operating rod is half way between the two point motor coils (a small piece of stiff card 9.5 wide with a 1mm wide slot cut along its centre line and inserted between the point motor coils may help you do this) and secure the point motor to the base board using the two fixing holes provided. Remove the point motor and expand the centre pilot hole to a diameter slightly greater than the travel of the point tie bar. Before finally reafixing your point motor you may elect to fit 'flying leads' to its terminals. Prior to finally positioning and securing the point motor trim the actuating rod to suit. Reafix the point motor.



SEEP Point Motors are a product of
GAUGEMASTER CONTROLS plc

Not recommended for children under the age of 14 unless supervised by an adult.

GAUGEMASTER also have available, mail order or from your local model shop their well known range of model railway controllers, electrical accessories such as switches and layout wire, grass and gravel matting, scenic materials, modellers tools and many other items.

GAUGEMASTER CONTROLS plc
GAUGEMASTER HOUSE
FORD ROAD, ARUNDEL, WEST SUSSEX BN18 0BN
Tel: 01903 884321 Fax: 01903 884377
E-mail: gaugemaster@gaugemaster.co.uk
Web site: www.gaugemaster.com