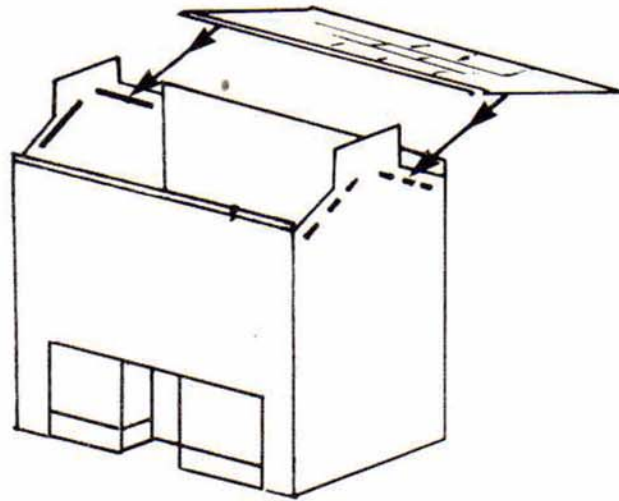
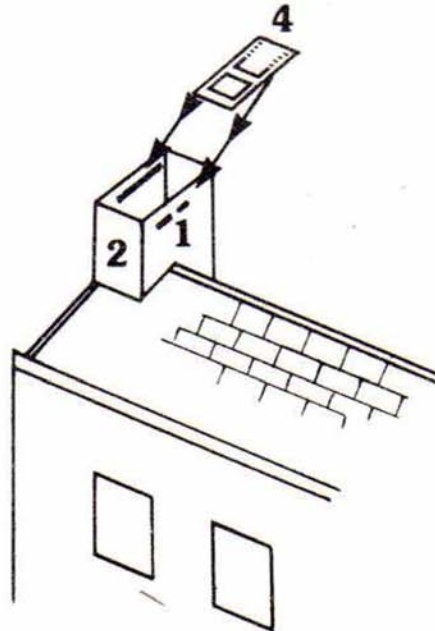


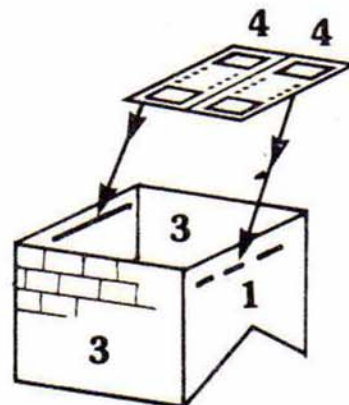
# ASSEMBLY INSTRUCTIONS



Glue shop window insert to front wall before assembling the building.  
Roof pieces rest on ridges inside end walls, flush with the tops of those walls.



End chimneys



Glue these two  
pieces together  
before fitting  
inside chimney

Middle chimney - locate completed chimney in centre of roof and glue.

All normal polystyrene cements are suitable for assembling this kit.

MADE IN THE UK