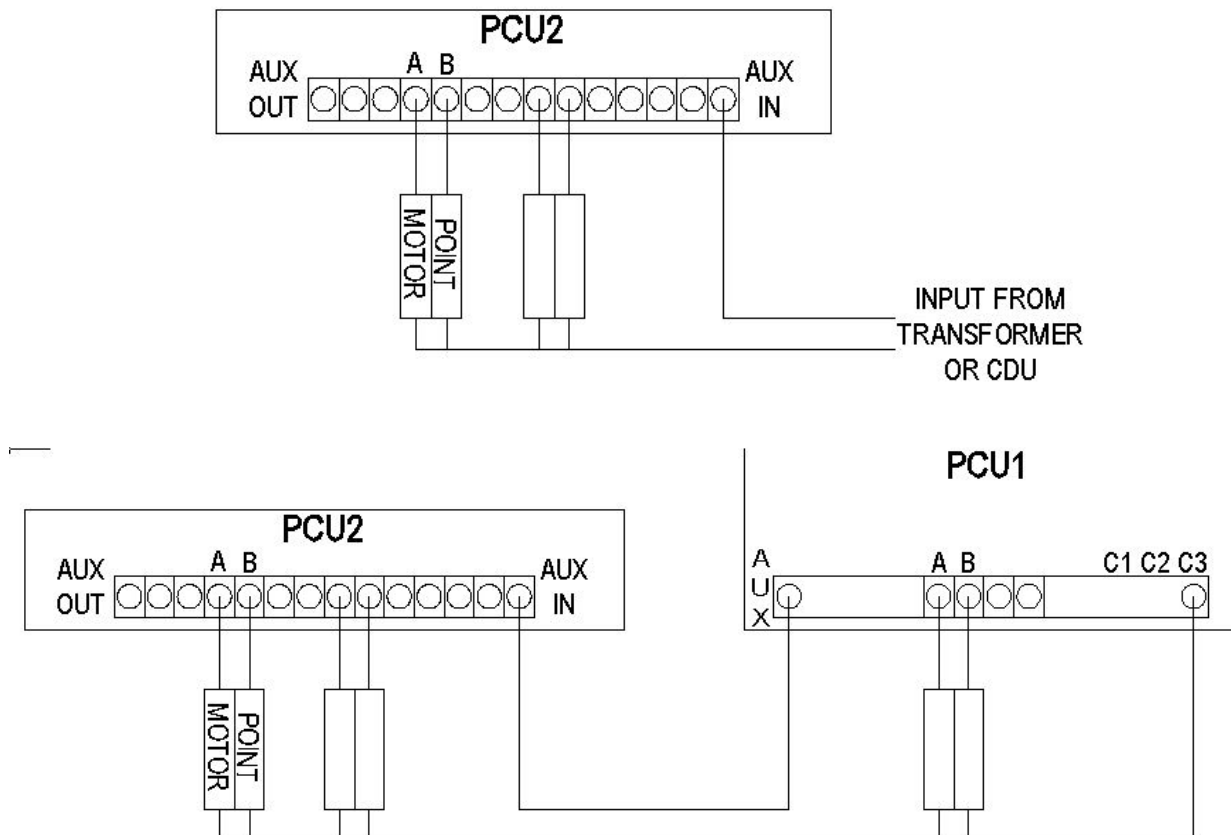


MODEL PCU2 POINT CONTROL UNIT

WARNING: - THIS APPLIANCE MUST BE EARTHED. FOR INDOOR USE ONLY.

In the event of any damage, the unit should not be used until the damage has been repaired. The unit should not be opened as it has no consumer repairable components. A repair service is available at the address shown below.

The PCU2 is a compact switching unit which will allow the independent operation of up to seven individual or groups of solenoid point motors. The PCU2 can be used with a suitable power source from 12volts up to 24volt or with our "CDU" capacitor discharge unit system. If used as an extension to the PCU1 that incorporates the three way common connections the unit will be capable of adding an additional 21operation. Typical connections are shown below.



GUARANTEE:

We undertake to replace, free of charge, any parts found defective within the lifetime of the unit, providing the item has not been tampered with and parts are still available for such a repair. This guarantee covers only the supply of replacement parts, labour cost for fitting of same and the cost of returning the unit to the customer or retailer. This Guarantee does not affect your Statutory Rights.

We reserve the right to vary design or specification without notice.

CONSTRUCTED TO EN60 742

A CATALOGUE ON THE FULL RANGE OF GAUGEMASTER PRODUCTS IS AVAILABLE

GAUGEMASTER CONTROLS Ltd Gaugemaster House, Ford Road, Arundel, West Sussex, BN18 0BN.

Tel. No: **01903 884321** Fax. No: **01903 884377** E-mail gaugemaster@gaugemaster.co.uk Web site www.gaugemaster.com

Registered in England. Reg. No: 2714470.

