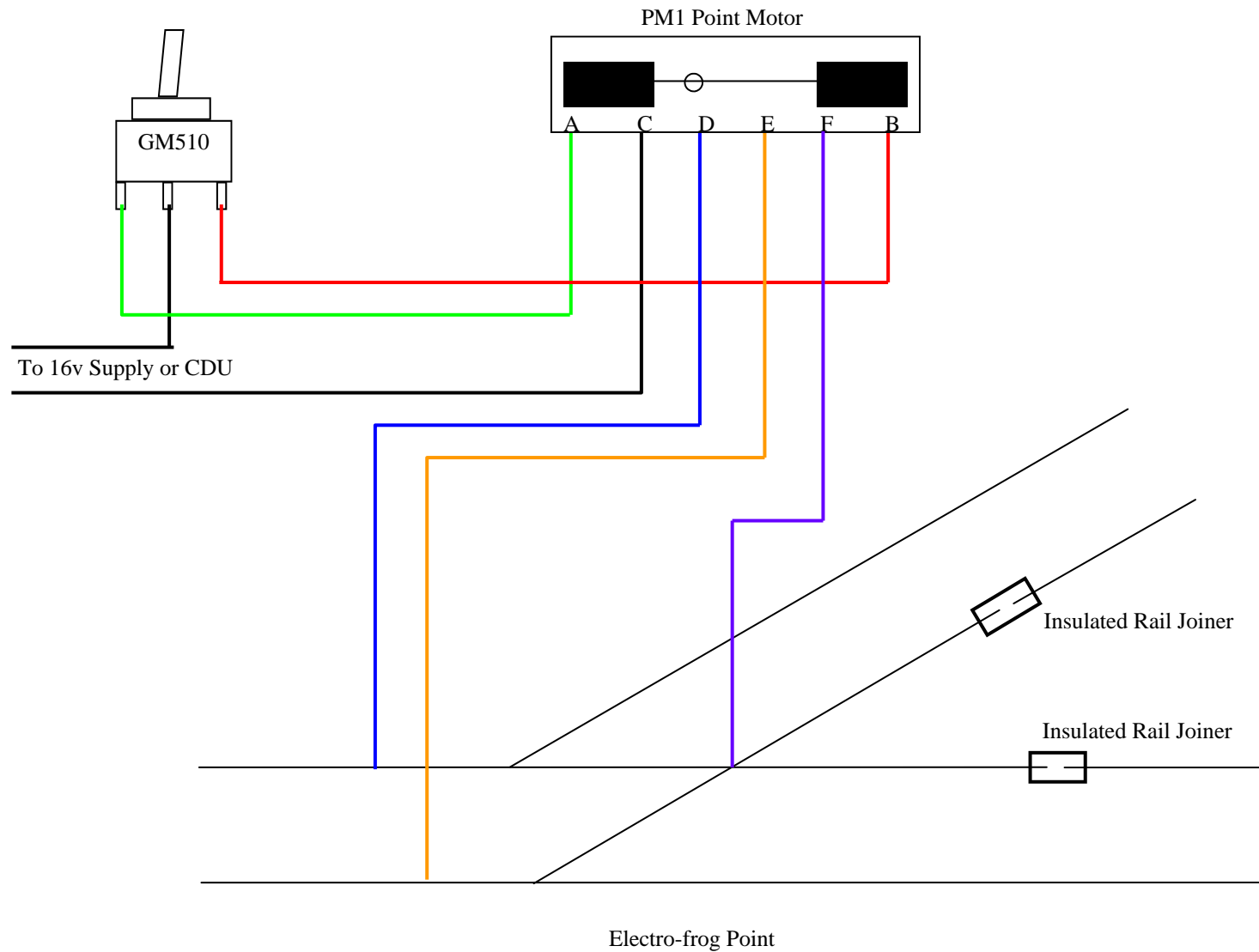


## Wiring up a Electro-frog Point to a Seep PM1 Point Motor



### How to wire up an Electro-frog point to the PM1 Point Motor

Start by connecting up the point motor switch wires (Red and Green ) to the outside contacts on the GM510 switch and then to the “A” and “B” contact on the point motor.

Then connect the commons up to the switch (Centre contact) and the “C” contact on the point motor (Black wires) This then gives you the power to both the switch and the point motor.

Throw the switch left and right to test the motor operates in the correct direction, if it doesn't you will just need to reverse the wires from contact “A” and “B”.

Now to wire up the electro-frog point to the motor. This will switch the polarity of the frog and allow smooth running over the point, even on N scale point work..

Start off by connecting the frog wire (Purple wire) to the “F” contact on the point motor.

Then connect the Left rail on the mouth of the point to the “D” contact on the motor (Blue wire).

Lastly, connect the Right rail on the mouth of the point to contact “E” on the motor (Yellow wire)

Remember to insert the insulated rail joiners on the rails connected to the frog (as shown on the diagram) otherwise you will get a short circuit on your railway.